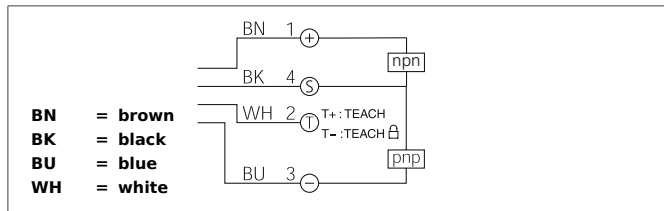


OHT 41 M 0.2 FG3-T4

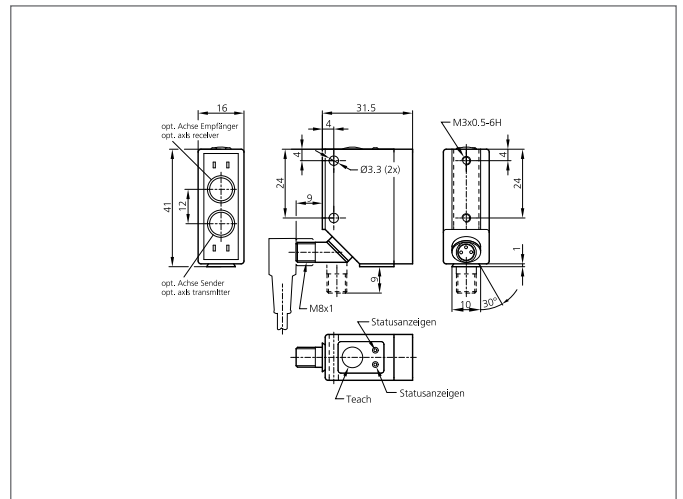
Diffuse Sensor with Background Suppression

- High operating distances with a small design
- Plug, rotatable 270°
- Dovetail groove for secure mounting
- NO/NC changeover by teach button
- Auto and two-point teach procedures
- Visible red light with small light spot
- Small metal casing design
- Display for unstable function



Safety instructions

The Instruments are not to be used for safety applications, in particular applications in which safety of persons depends on proper operation of the instruments.
These instruments shall exclusively be used by qualified personnel.



| TECHNICAL INFORMATION (typ.) | +20°C, 24V DC |
|------------------------------|------------------------------------------|
| Operating principle | Diffuse reflective sensor |
| Evaluation | digital |
| Size | 41 x 31,5 x 16 mm (Dimensions) |
| Design | cuboid design |
| Emitted light | Red, 630 nm, clocked |
| Service voltage | 10 ... 30 V DC |
| Internal power consumption | < 40 mA |
| background suppression | yes |
| Operating distance | 40 ... 200 mm |
| Sensitivity adjustment | Teach key + remote teach |
| Switching output | Push pull, 200 mA, NO/NC, switchable |
| Voltage drop | < 2,0 V |
| Switching frequency | 500 Hz |
| Ambient temperature | 0 ... +50 °C |
| Ambient light immunity | 50 kLx |
| Protection class | IP 67 |
| Protection degree | III, operation on protective low voltage |
| Casing material | Die-cast zinc black lacquered finish |
| Material | polymethyl methacrylate (Window) |
| Connection | Connector, M8, 4-poled |